

iDS-2CD8V447G0E/X2-XZS 4MP Deepinview Mini Dual-lens Omni Camera

DarkFighter ✦

DeepinView^{series}



Hikvision has been dedicated to develop products with security since established.

Hikvision always follows security by design principle and has adopted many methods of security technologies into our product development lifecycle, including terminal security, data security, application security, network security, and privacy protection.

In the meantime, the security technologies used by Hikvision are all in compliance with local applicable laws and safety regulations. These security measures could enhance product's cyber security protection capability and protect your devices as well as your data from malicious cyber attacks.

- Excellent low-light performance via DarkFighter technology
- Intelligent functions based on deep learning in various scenarios
- High quality imaging with 4 MP resolution in channel 1 and channel 2
- Clear imaging against strong back light due to 120 dB WDR technology
- Efficient H.265+ compression technology to save bandwidth and storage
- Adopt 2-channel design with manual PT, pan -10° to 190°, tilt 0° to 90°, rotate: 0° to 350°
- Built-in power meter for historical power statistics
- Water and dust resistant (IP67)

▪ Specification

Camera	
Image Sensor	Channel 1: 1/1.8" Progressive Scan CMOS, Channel 2: 1/1.8" Progressive Scan CMOS
Max. Resolution	Channel 1: 2688 × 1520, Channel 2: 2688 × 1520
Min. Illumination	Channel 1: Color: 0.002 Lux @ (F1.2, AGC ON), 0 Lux with Light B/W: 0.0002 Lux @ (F1.2, AGC ON), 0 Lux with IR Channel 2: Color: 0.002 Lux @ (F1.2, AGC ON), 0 Lux with Light B/W: 0.0002 Lux @ (F1.2, AGC ON), 0 Lux with IR
Shutter Time	1 s to 1/100,000 s
Day & Night	Channel 1: IR cut filter, Blue glass module to reduce ghost phenomenon, Channel 2: IR cut filter, Blue glass module to reduce ghost phenomenon
Angle Adjustment	Channel 1: pan: -10° to 190°, tilt: 0° to 90°, rotate: 0° to 350°, Channel 2: pan: -10° to 190°, tilt: 0° to 90°, rotate: 0° to 350°
Lens	
Lens Type	4 to 6 mm: Channel 1: Varifocal lens, manual adjustment, 4 to 6 mm, Channel 2: Varifocal lens, manual adjustment, 4 to 6 mm 6 to 9 mm: Channel 1: Varifocal lens, manual adjustment, 6 to 9 mm, Channel 2: Varifocal lens, manual adjustment, 6 to 9 mm
Focal Length & FOV	Channel 1: 4 to 6 mm, horizontal FOV 87.6° to 55.2°, vertical FOV 46° to 30.1°, diagonal FOV 103.5° to 64.2° 6 to 9 mm, horizontal FOV 60° to 41°, vertical FOV 34.8° to 23.4°, diagonal FOV 67.8° to 46.8° Channel 2: 4 to 6 mm, horizontal FOV 87.6° to 55.2°, vertical FOV 46° to 30.1°, diagonal FOV 103.5° to 64.2° 6 to 9 mm, horizontal FOV 60° to 41°, vertical FOV 34.8° to 23.4°, diagonal FOV 67.8° to 46.8°
Min. Focus Distance	1.5 m
Iris Type	Fixed
Aperture	Channel 1: F1.6, Channel 2: F1.6
Depth of Field	Channel 1: 3.1 m to ∞ Channel 2: 3.1 m to ∞
DORI	
DORI	Wide: D: 150.3 m, O: 59.7 m, R: 30.1 m, I: 15 m Tele: D: 635.9 m, O: 252.3 m, R: 127.2 m, I: 63.6 m
Illuminator	
Supplement Light Type	Hybrid (IR and White Light)
Supplement Light Range	Up to 30 m

Supplement Light Number	4
Smart Supplement Light	Yes
IR Wavelength	850 nm
Video	
Main Stream	Channel 1 & Channel 2: 50 Hz: 25 fps (2688 × 1520, 2560 × 1440, 1920 × 1080, 1280 × 720) 60 Hz: 24 fps (2688 × 1520, 2560 × 1440, 1920 × 1080, 1280 × 720)
Sub-Stream	Channel 1 & Channel 2: 50 Hz: 25 fps (704 × 576, 640 × 480) 60 Hz: 24 fps (704 × 480, 640 × 480)
Video Compression	Main stream: H.265+/H.265/H.264+/H.264, Sub-stream: H.265/H.264/MJPEG
Video Bit Rate	256 Kbps to 8 Mbps
H.264 Type	Baseline Profile,High Profile,Main Profile
H.265 Type	Main Profile
Bit Rate Control	CBR,VBR
Scalable Video Coding (SVC)	H.264 and H.265 encoding
Region of Interest (ROI)	4 fixed regions for each stream
Target Cropping	Yes
Audio	
Audio Type	Mono sound
Audio Compression	G.711/G.722.1/G.726/MP2L2/PCM/MP3/AAC-LC
Audio Bit Rate	64 Kbps (G.711ulaw/G.711alaw)/16 Kbps (G.722.1)/16 Kbps (G.726)/32 to 192 Kbps (MP2L2)/8 to 48 Kbps (PCM)/8 to 320 Kbps (MP3)/16 to 64 Kbps (AAC-LC)
Audio Sampling Rate	8 kHz/16 kHz/32 kHz/48 kHz
Environment Noise Filtering	Yes
Network	
Protocols	TCP/IP, ICMP, HTTP, HTTPS, FTP, SFTP, DHCP, DNS, DDNS, RTP, RTSP, RTCP, PPPoE, NTP, UPnP, SMTP, SNMP, IGMP, 802.1X, QoS, IPv4, IPv6, UDP, Bonjour, SSL/TLS, ISUP, ARP, WebSocket, WebSockets
Simultaneous Live View	Up to 20 channels
API	ONVIF (Profile S, Profile G, Profile T, Profile M),ISAPI,SDK,ISUP
User/Host	Up to 32 users 3 user levels: administrator, operator, and user
Security	Password protection, complicated password, HTTPS encryption, 802.1X authentication (EAP-TLS, EAP-LEAP, EAP-MD5), watermark, IP address filter, basic and digest authentication for HTTP/HTTPS, WSSE and digest authentication for Open Network Video Interface, RTP/RTSP OVER HTTPS, Control Timeout Settings, Security Audit Log, TLS 1.2, TLS 1.3, TPM 2.0 (FIPS 140-2 level 2), AES128/256
Network Storage	NAS (NFS, SMB/CIFS),Auto Network Replenishment (ANR),CVR,NVR, Together with high-end Hikvision memory card, memory card encryption and health detection are supported.
Client	iVMS-4200,Hik-Connect
Web Browser	Plug-in required live view: IE 10, IE 11, Plug-in free live view: Chrome 57.0+, Firefox 52.0+, Edge 89+, Safari 13+, Local service: Chrome 57.0+, Firefox 52.0+, Edge 89+

Image	
Image Parameters Switch	Yes
Image Settings	Rotate mode,saturation,brightness,contrast,sharpness,gain,white balance,AGC,adjustable by client software or web browser
Day/Night Switch	Day,Night,Auto,Schedule,Alarm Trigger
Wide Dynamic Range (WDR)	120 dB
Image Enhancement	BLC,HLC,3D DNR,Distortion Correction
Privacy Mask	8 programmable polygon privacy masks
Picture Overlay	LOGO picture can be overlaid on video with 128 × 128 24 bit bmp format.
Interface	
Ethernet Interface	1 RJ45 10 M/100 M self-adaptive Ethernet port
On-Board Storage	Built-in memory card slot, support microSD/microSDHC/microSDXC card, up to 512 GB
Built-in Microphone	Yes, 2 built-in microphones
Built-in Speaker	Yes, 1 built-in speaker,Max. power consumption: 2 W, max. sound pressure level: 10 cm: 90 dB.
Audio	1 input (line in), 3.5 mm connector, max. input amplitude: 3.3 Vpp, input impedance: 4.7 KΩ, interface type: non-equilibrium, 1 output (line out), 3.5 mm connector, max. output amplitude: 3.3 Vpp, output impedance: 100 Ω, interface type: non-equilibrium
Alarm	1 input, 1 output (max. 12 VDC, 30 mA)
RS-485	1 RS-485 (Half duplex, HIKVISION, Pelco-P, Pelco-D, self-adaptive)
Reset Key	Yes
Power Output	12 VDC, max. 100 mA
Event	
Basic Event	Motion detection (support alarm triggering by specified target types (human and vehicle)),video tampering alarm,exception (network disconnected, IP address conflict, illegal login, HDD full, HDD error, abnormal restart),video quality diagnosis
Smart Event	Unattended baggage detection, object removal detection,scene change detection,audio exception detection,defocus detection
Linkage	Upload to FTP/NAS/memory card,notify surveillance center,send email,trigger alarm output,trigger recording,trigger capture,audible warning
Deep Learning Function	
Perimeter Protection	Line crossing, intrusion, region entrance, region exiting Support alarm triggering by specified target types (human and vehicle)
Multi-target-type Detection	Detects up to 30 targets simultaneously,Supports simultaneous detection and capture of human body and face, Gets 7 face features, Gets 13 human body features, Supports counting the number of line crossing targets by type, including human body
Face Capture	Detects up to 64 faces simultaneously, Supports swing left and right from -60° to 60°, tilt up and down from -30° to 30°, Uploads face with background and closed-up face pictures

<p>Queue Management</p>	<p>Supports up to 8 detection regions, and independent arming schedule and linkage method</p> <p>Supports 2 detection modes: regional people queuing-up, waiting time detection</p> <p>Generates reports to compare the efficiency of different queuing-ups and display the changing status of one queue</p> <p>Supports raw data export for further analysis</p> <p>Supports real-time data uploading and scheduled data uploading</p> <p>Regional people queuing-up: supports 4 alarm trigger conditions, including greater than threshold, less than threshold, equal to threshold, not equal to threshold</p> <p>Waiting time detection: supports 1 alarm trigger condition, including greater than threshold</p>
<p>Heat Map</p>	<p>A graphic description of visits (by calculating amount of people or amount of dwell time) in a configured area.,</p> <p>Two report types are available, space heat map and time heat map line chart.</p>
<p>Metadata</p>	<p>Intrusion detection,line crossing detection,region entrance detection,region exiting detection,face capture,multi-target-type detection,road traffic,only Channel 1 supports.</p>
<p>Road Traffic and Vehicle Detection</p>	<p>Smart Function:</p> <p>Support license plate recognition of vehicles and motorcycles (only in checkpoint scenario)</p> <p>Support vehicle attribute detection, including vehicle type, color, brand, driving direction, etc.</p> <p>Support vehicle and non-vehicle counting</p> <p>Blocklist and allowlist: up to 10,000 records</p> <p>LPR Countries/Regions:</p> <p>4 areas (Europe, Middle East, Asia-Pacific, Africa) and more than 124 countries/regions</p> <p>Accuracy (Under recommended installation and lighting conditions):</p> <p>License plate recognition rate $\geq 98\%$</p> <p>Capture rate $\geq 99\%$</p> <p>Driving direction accuracy rate $\geq 98\%$</p> <p>Vehicle Capture Speed:</p> <p>Front installation in checkpoint scenario: up to 60 km/h</p> <p>Side installation: up to 60 km/h</p> <p>Capture Mode: License Plate and Vehicle Mode, Vehicle Priority Mode</p>

Regional People Counting	<p>Supports up to 8 detection regions, and independent arming schedule and linkage method</p> <p>Supports 3 detection modes: people density detection, number of people exception detection, waiting time exception detection</p> <p>Supports parameter settings: alarm times per exception, alarm interval, first alarm delay</p> <p>Supports searching real-time number of people</p> <p>People density detection: supports scheduled uploading, number of people change uploading, congestion level uploading</p> <p>Number of people exception detection: supports 6 alarm trigger conditions, including greater than threshold A, less than threshold A, equal to threshold A, not equal to threshold A, greater than threshold A and less than threshold B, less than threshold A or greater than threshold B (threshold A should be less than threshold B)</p> <p>Waiting time exception detection: supports 3 alarm trigger conditions, including greater than threshold A, less than threshold A, greater than threshold A and less than threshold B (threshold A should be less than threshold B)</p>
On/Off Duty Detection	<p>Supports up to 8 detection regions, and independent arming schedule and linkage method</p> <p>Supports 2 detection modes: absence detection, on/off duty detection</p> <p>Supports parameter settings: person on duty, absence duration</p>
General	
Power	12 VDC \pm 20%, 1.27 A, max. 18.2 W, two-core terminal block, PoE: IEEE 802.3at, Class 4
Material	Plastics
Dimension	280.9 mm \times 132.3 mm \times 120.9 mm (11.1" \times 5.2" \times 4.8")
Package Dimension	316 mm \times 156 mm \times 170 mm (12.44" \times 6.14" \times 6.69")
Weight	Approx. 1430 g (3.15 lb.)
With Package Weight	Approx. 1810 g (3.99 lb.)
Storage Conditions	-30 $^{\circ}$ C to 60 $^{\circ}$ C (-22 $^{\circ}$ F to 140 $^{\circ}$ F). Humidity 95% or less (non-condensing)
Startup and Operating Conditions	-30 $^{\circ}$ C to 60 $^{\circ}$ C (-22 $^{\circ}$ F to 140 $^{\circ}$ F). Humidity 95% or less (non-condensing)
Language	33 languages: English, Russian, Estonian, Bulgarian, Hungarian, Greek, German, Italian, Czech, Slovak, French, Polish, Dutch, Portuguese, Spanish, Romanian, Danish, Swedish, Norwegian, Finnish, Croatian, Slovenian, Serbian, Turkish, Korean, Traditional Chinese, Thai, Vietnamese, Japanese, Latvian, Lithuanian, Portuguese (Brazil), Ukrainian
General Function	Heartbeat, mirror, flash log, password reset via email, pixel counter, password protection, one-key reset, anti-banding
Flashing Light	White Light
Approval	
EMC	CE-EMC: EN 55032:2015+A1:2020, EN 50130-4:2011+A1:2014, EN IEC 61000-3-2:2019+A1:2021, EN 61000-3-3:2013+A1:2019+A2:2021, RCM: AS/NZS CISPR 32: 2015, IC: ICES-003: Issue 7, KC: KN32: 2015, KN35: 2015
Safety	CE-LVD: EN 62368-1: 2014/A11: 2017, BIS: IS 13252 (Part 1): 2010/IEC 60950-1: 2005, LOA: IEC/EN 60950-1

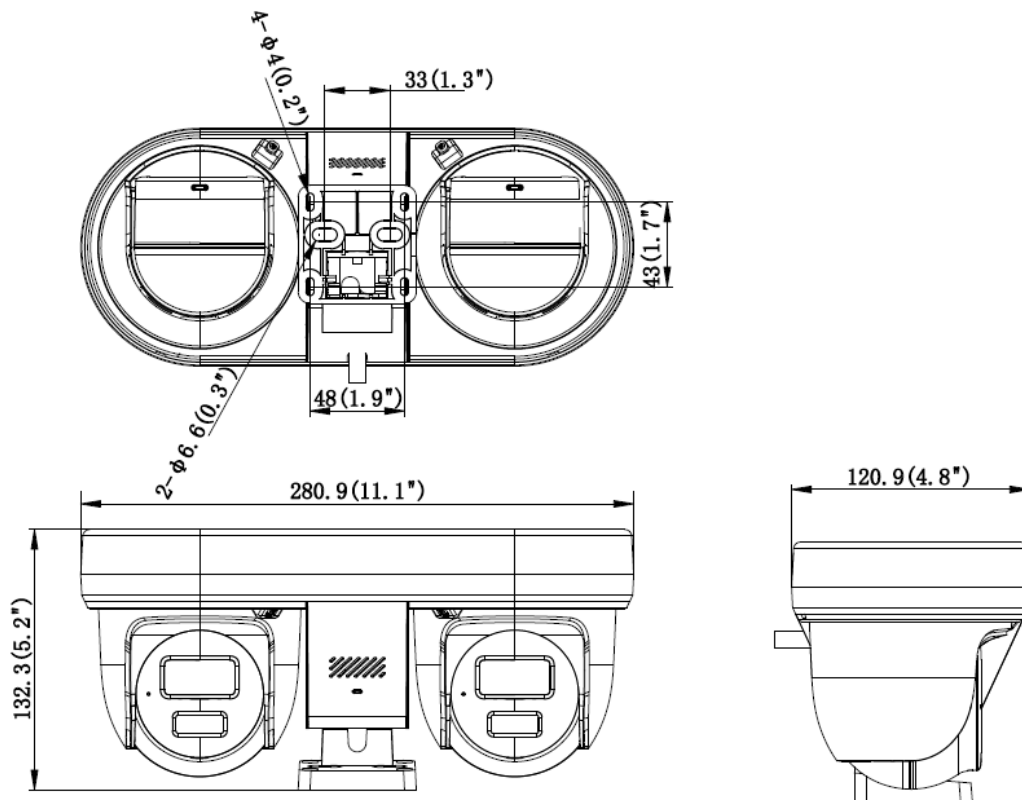
Environment	CE-RoHS: 2011/65/EU, WEEE: 2012/19/EU, Reach: Regulation (EC) No 1907/2006
Protection	IP67: IEC 60529-2013
Other	PVC FREE

▪ Available Model

iDS-2CD8V447G0E/X2-XZS(4-6/4-6)

iDS-2CD8V447G0E/X2-XZS(6-9/6-9)

▪ Dimension



Camera Mounting Hole (mm)	Camera Mounting Hole (inch)
43*48 (4*φ4)	1.7" *1.9" (4*φ0.2')
33 (2*φ6.6)	φ1.3'' (2*φ0.3'')

- **Accessory**
- **Optional**

DS-1292ZJ Wall mount	DS-1712ZJ Pendant Mount
 A white, L-shaped wall mount bracket for a camera. It features a flat base for mounting to a wall and a vertical arm that extends outwards to hold the camera.	 A white, J-shaped pendant mount. It consists of a vertical stem with a hook at the bottom, designed to be suspended from a ceiling or other overhead structure.

See Far, Go Further



www.hikvision.com
support@hikvision.com

