

## DS-TMT201-D Entrance Ticket Station



- 10.1 inch wide temperature high brightness LCD screen, support text, two-dimensional code and other information display, support picture, video loop playback
- Device integrated IC card reader, support card upload
- The device contains 1 relay-out interface, which can be used for remote control barrier
- Support real-time voice intercom function, Integrated echo cancellation and noise cancellation technology
- Support SDK protocol

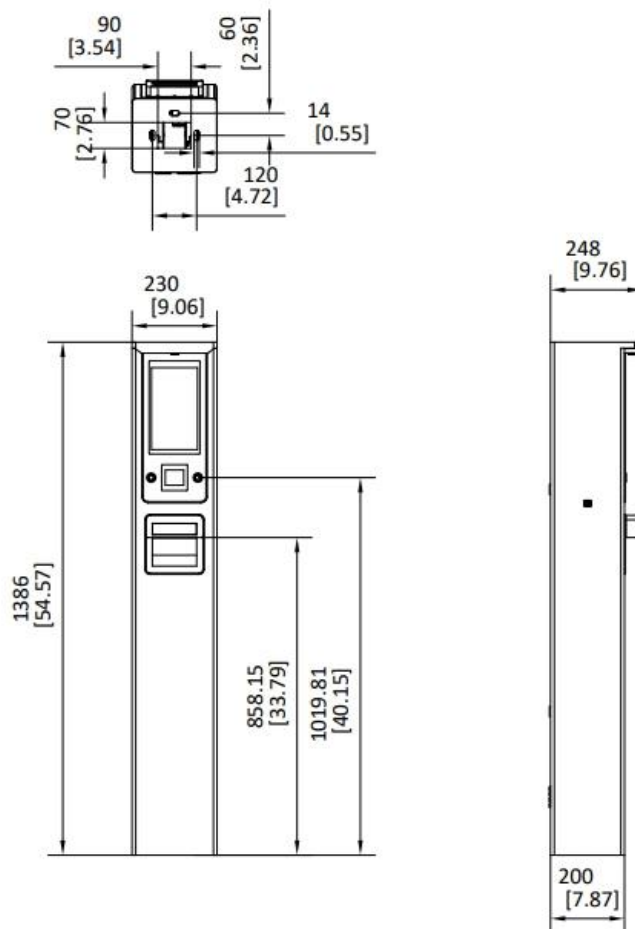
## ▪ Specification

Printer	
Print Mode	thermal printing
Paper Width	57mm
Roll Outside Diameter	150 mm
Roll Inside Diameter	12±1 mm
Remarks	The length of ticket depends on the contents you set, the upper margin is 1.5cm, the bottom margin is 1cm
Audio	
Audio Encoding	G.711U
Audio Bit Rate	64 Kbps
Audio Input	All-directional microphone
Audio Output	loudspeaker 5.5W
Audio Quality	Echo suppression, Noise cancellation
Two-Way Audio Mode	Full duplex two-way voice intercom
Network	
Interface Protocol	TCP/IP
Display Screen	
Screen Type	10.1 inch LCD screen 1080P
Interface	
Alarm Input	2
Alarm Output	2
Network Interface	10M/100M self-adaption × 1
Card Reader	
Card Reader Type	IC card, CPU card
General	
Working Temperature and Humidity	-40°C ~ 70°C 10% ~ 95%
Power Supply	220V 50Hz
Power Consumption	<15W 220VAC
Dimensions	230 × 248 × 1386 mm (9.06 × 9.76 × 54.57 inch)
Protection	IP54
Weight	16.86 kg (37.17 lb.)
Weight (with Package)	19.51 kg (43.01 lb.)
Dimensions (with Package)	320 × 360 × 1492 mm (12.6 × 14.17 × 58.74 inch)
Operating System	Embedded Linux System

## ▪ Available Model

DS-TMT201-D

## ▪ Dimension



L × W × H: 230 mm × 248 mm × 1386 mm (9.06 × 9.76 × 54.57)

Unit: mm [inch]

**Headquarters**

No.555 Qianmo Road, Binjiang District,  
Hangzhou 310051, China  
T +86-571-8807-5998  
www.hikvision.com



Follow us on social media to get the latest product and solution information.

