

DS-KH7100EY-E2/White
2-wire HD Indoor Station



- 4.3 inch Non-Touch-Screen Indoor Station with touch buttons
- Colorful TFT LCD, display resolution: 480 * 272
- Support rotary switch settings
- Support alarm in

▪ Specification

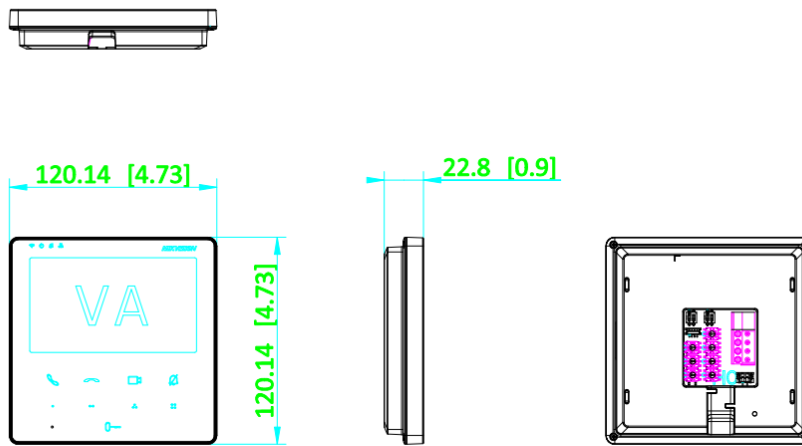
System parameters	
Operating system	Embedded Linux operation system
ROM	32 MB
RAM	128 MB
CPU	Embedded processor
Display parameters	
Screen size	4.3-inch
Operation method	5 touch botton
Type	Colorful TFT screen
Resolution	480 ×272
Video parameters	
Video compression standard	/
Lens	/
FOV	/
WDR	/
Resolution	/
Focal length	/
Audio parameters	
Audio compression standard	G.711 U G.711 A
Audio input	1 Built-in omnidirectional microphone
Audio output	1 Buit-in loudspeaker
Audio compression bitrate	64 Kps
Audio quality	Noise suppression and echo cancellation
Volume adjustment	Adjustable
Capacity	
Event capacity	200 captured pictures (with TF card)
Linked indoor extensions capacity	3
Network parameters	
Communication protocol	TCP/IP, RTSP
Wired network	10/100 Mbps self-adaptive through 2-wire interface
Wi-Fi standard	/
3G/4G standard	/
Zigbee	/
Device interfaces	
Alarm input	1
TAMPER	/
RS-485	/
USB	/
TF card	/
Alarm output	/
DIP switch	5 decimal DIP switch and 4 binary DIP switch
Power supply input	12V DC
Two-wire IP interface	2, 1 for input 1 for output

General	
Button	3 Touch buttons (Answer, Unlock, Hang up)+1 Physical button (Reset)
Installation	Surface mounting
Indicator	3 (Power、 Mute、 In use)
Protective level	/
Working temperature	-10 °C to 50 °C (14 °F to 122 °F)
Working humidity	10% to 90% (no-condensing)
Dimensions	190.2 mm × 138.2 mm × 20 mm (7.5" × 5.4" × 0.8")
Battery	/
Power supply	48V , Powered by DS-KAD7060EY or DS-KAD7061EY
Application environment	Indoor
Power consumption	≤ 4W (stand by ≤ 1W)
Language	English, Bulgarian, Hungarian, Greek, German, Italian, Czech, Slovak, French, Polish, Dutch , Spanish, Romanian, Estonian, Croatian, Slovenian, Serbian, Ukrainian, Portuguese

▪ Available Model

DS-KH7100EY-E2/White

▪ Dimension



Unit:mm [inch]

SCALE 1:1

See Far, Go Further



www.hikvision.com
support@hikvision.com

