

**DS-KAB673-EDB
Peripheral Module**

The peripheral module should be applied with DS-K1T673 series face recognition terminal, which supports bluetooth and can recognize multiple card types, including EM card, M1 card, Felica card, and DESfire card.

- Supports recognition of multiple card types, including EM card, M1 card, and DESfire card.
- Supports bluetooth function.

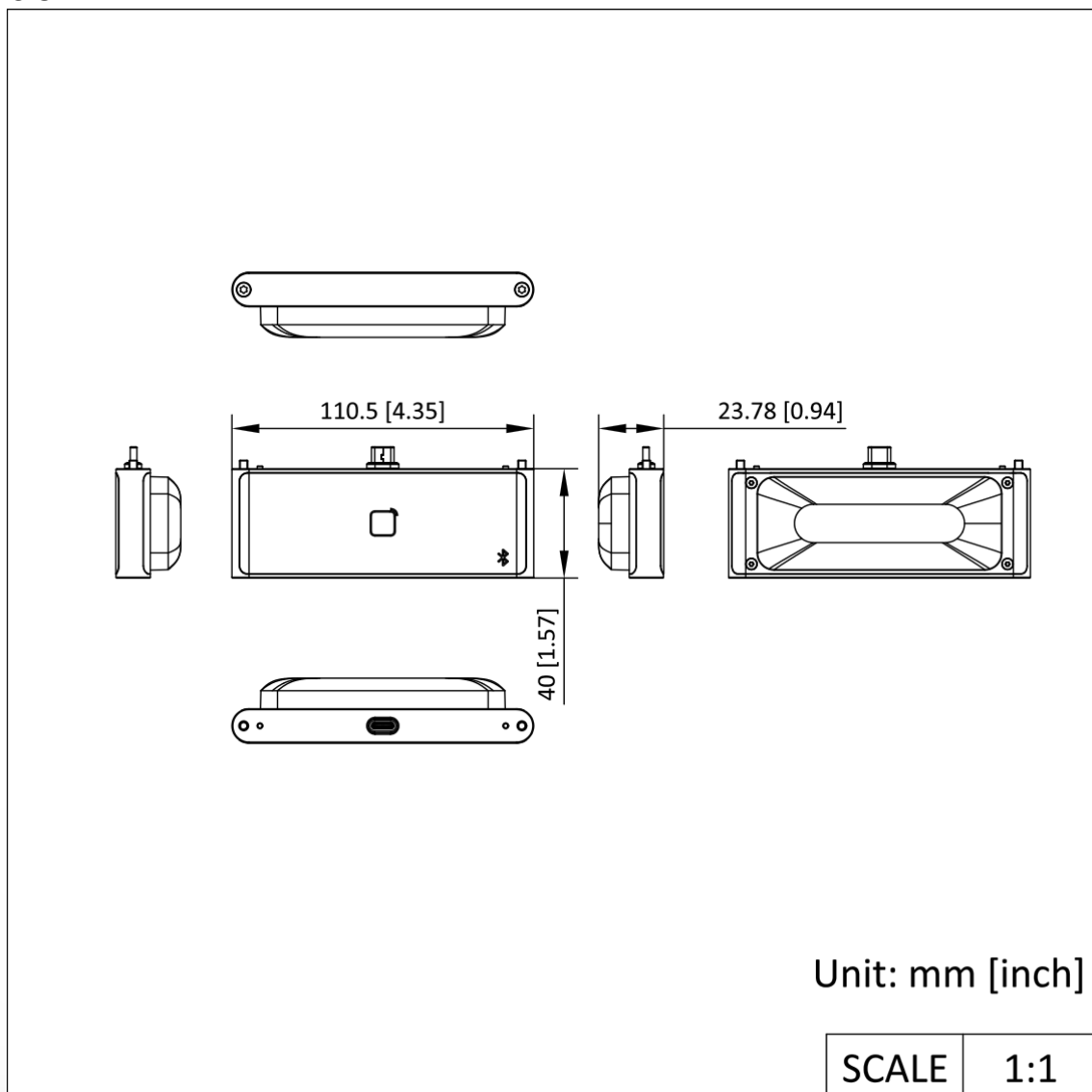
▪ Specification

Authentication	
Card type	EM card,M1 card,DESfire card
Card reading frequency	13.56 MHz,125 KHz
General	
Working temperature	-30 °C to 60 °C (-22 °F to 140 °F)
Working humidity	10 % to 90 % (no condensing)
Dimensions	110.5 mm × 40 mm × 23.78 mm (4.4" × 1.6" × 0.9")
Function	
Bluetooth	Bluetooth 5.0

▪ Available Model

DS-KAB673-EDB

▪ Dimension



▪ **Accessory**



DS-K1T673TDGX



DS-K1T673TDX



DS-K1T673TDWX



DS-K1T673TDX-T



DS-K1T673DX



DS-K1T673DWX

See Far, Go Further



www.hikvision.com
support@hikvision.com

