

DS-3D01T-A(B) 20 km 100 Mbps Fiber Transceiver



DS-3D01T-A(B) is a 100 Mbps single-mode single-fiber fiber optical transceiver developed by Hikvision. It provides one 100 Mbps RJ45 port and one 100 Mbps SC fiber optical port, and can achieve high-speed and lossless transmission of data signals over a maximum of 20 km transmission distance. The device is plug-and-play, easy to use, and suitable for hotels, scenic spots, factories, office buildings, apartments, parking lots, and security systems to set up an efficient network system.

- 1 x 100 Mbps RJ45 port and 1 x 100 Mbps SC fiber optical port
- Plug-and-play and fast forwarding, achieving high-speed, lossless, and up to 20 km transmission of data signals with no configuration required
- 4 kV lightning protection design with high reliability
- Quasi-industrial-grade design with an operating temperature range of -20 °C to 60 °C
- Wavelength division multiplexing and single-fiber data forwarding, saving cabling costs
- Solid and high-strength industrial-grade metal shell with stronger heat dissipation capability

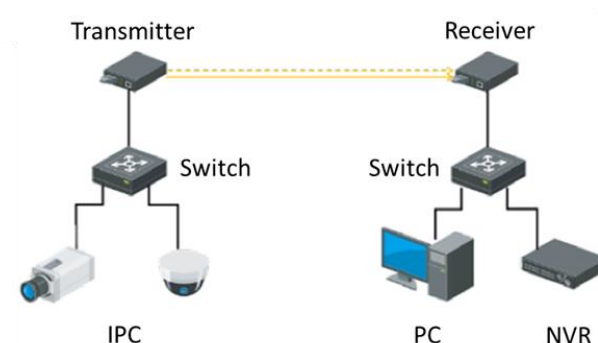
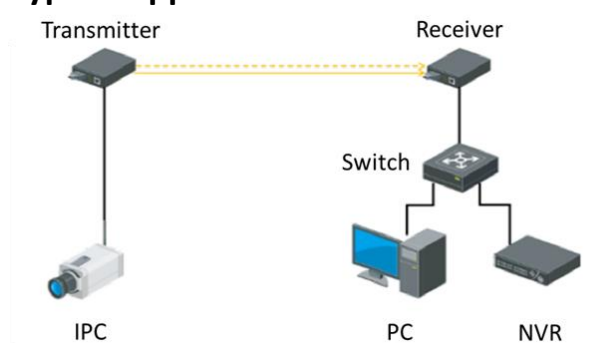
▪ Specification

| General | |
|---------------------------|---|
| Shell | Metal |
| Net Weight | 0.13 kg (0.28 lb) |
| Gross Weight | 0.23 kg (0.51 lb) |
| Dimensions (W × H × D) | 71.6 mm × 26.1 mm × 94.1 mm (2.81" × 1.03" × 3.70") |
| Operating Temperature | -20 °C to 60 °C (-4 °F to 140 °F) |
| Storage Temperature | -40 °C to 85 °C (-40 °F to 185 °F) |
| Operating Humidity | 5% to 95% (no condensation) |
| Relative Humidity | 5% to 95% (no condensation) |
| Power Supply | 5 V DC, 0.6 A |
| Max. Power Consumption | 3 W |
| Power Consumption in Idle | 2 W |
| Installation Mode | Desk-Mounted |
| Surge Protection | 4 kV |
| Network Parameters | |
| Ports | 1 x 100 Mbps RJ45 port and 1 x 100 Mbps SC fiber optical port |
| Switching Capacity | 0.4 Gbps |
| Packet Forwarding Rate | 0.3 Mpps |
| Optical Module Parameters | |
| Optical Interface | SC |
| Fiber Type | Single-mode bidirectional fiber |
| Transmission Distance | 20 km |
| Wavelength | Tx1310 nm/Rx1550 nm |
| Transmit Power | -14 dBm to -7 dBm |
| Receiver Sensitivity | ≤ -32 dB |
| Approval | |
| EMC | CE-EMC (EN 55032: 2015+A11: 2020, EN IEC 61000-3-2: 2019, EN 61000-3-3: 2013+A1: 2019, EN 50130-4: 2011+A1: 2014, EN 55035: 2017+A11: 2020) |
| Safety | CB (AMD1:2009, AMD2:2013, IEC 62368-1: 2014 (Second Edition)) |
| Chemistry | Reach (Regulation (EC) No.1907/2006) |

▪ Available Model

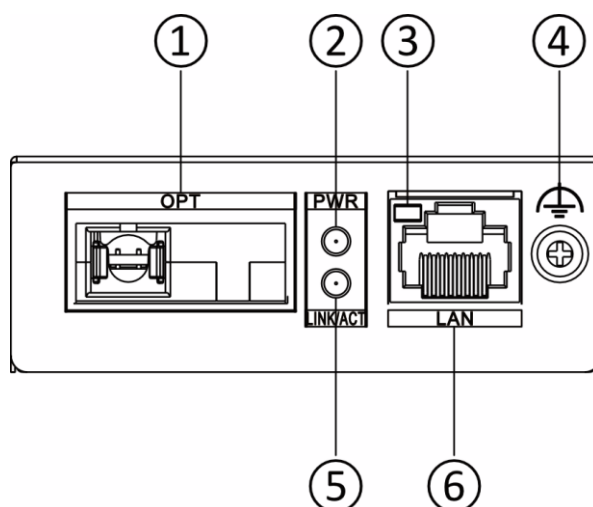
DS-3D01T-A(B)

▪ Typical Application

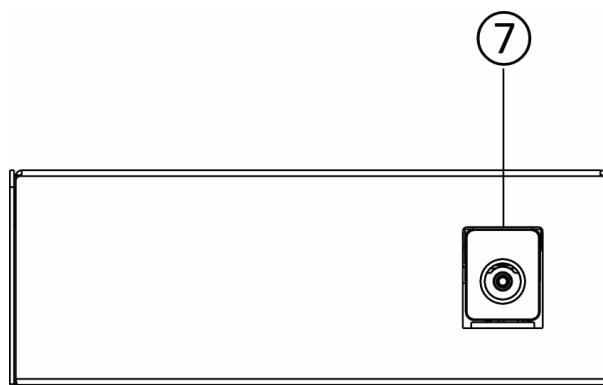


Physical Interface

Front Panel

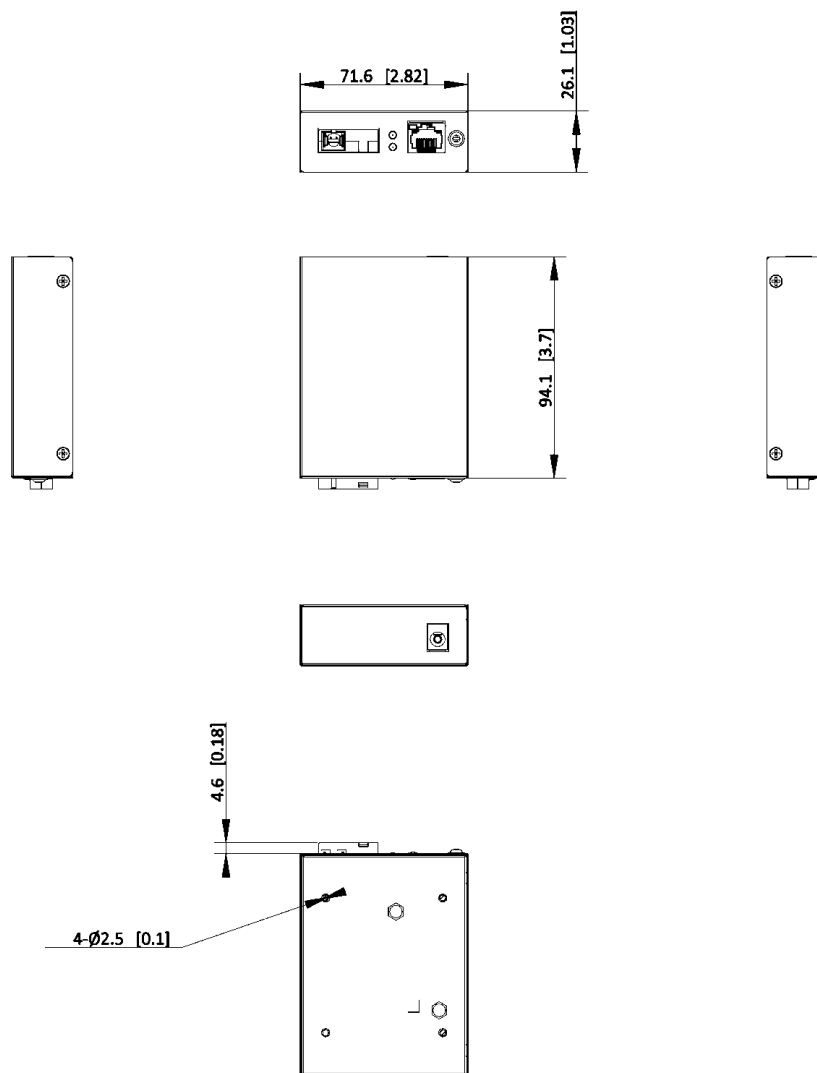


Rear Panel



| No. | Port/Indicator | Description |
|-----|--------------------|--|
| ① | OPT | SC fiber optical port, connected to another fiber optical port via a single-mode optical fiber. |
| ② | PWR | Power indicator. <ul style="list-style-type: none"> ● Solid on: The device is powered on normally. ● Unlit: No power supply connected or power supply is abnormal. |
| ③ | LINK/ACT | LAN port indicator. <ul style="list-style-type: none"> ● Solid on: The 100 Mbps RJ45 port is connected. ● Flashing: The 100 Mbps RJ45 port is transmitting or receiving data. ● Unlit: The 100 Mbps RJ45 port is disconnected or connection is abnormal. |
| ④ | Grounding Terminal | Used for connection to a grounding cable to protect the device from lightning. |
| ⑤ | LINK/ACT | Fiber optical port indicator. <ul style="list-style-type: none"> ● Solid on: The 100 Mbps SC fiber optical port is connected via an optical fiber. ● Flashing: The 100 Mbps SC fiber optical port is transmitting or receiving data. ● Unlit: The 100 Mbps SC fiber optical port is disconnected or connection is abnormal. |
| ⑥ | LAN | 100 Mbps RJ45 port, used for connection to another device such as a network camera (IPC) or switch via a network cable. |
| ⑦ | PWR DC 5V | Power jack. <p>Use the attached power adapter to connect the device's power jack to a power socket.</p> |

▪ Dimension



Unit: mm [inch]

Headquarters

No.555 Qianmo Road, Binjiang District,
Hangzhou 310051, China
T +86-571-8807-5998
www.hikvision.com



Follow us on social media to get the latest product and solution information.

