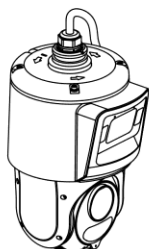
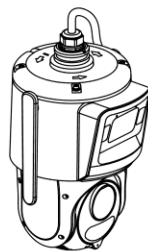
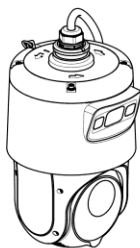
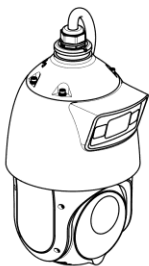
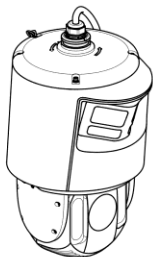
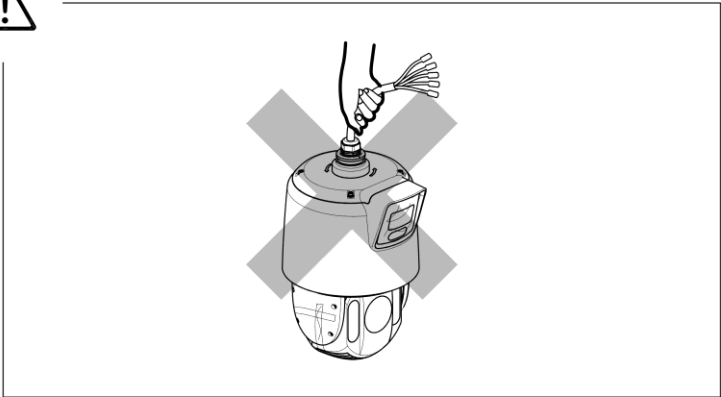
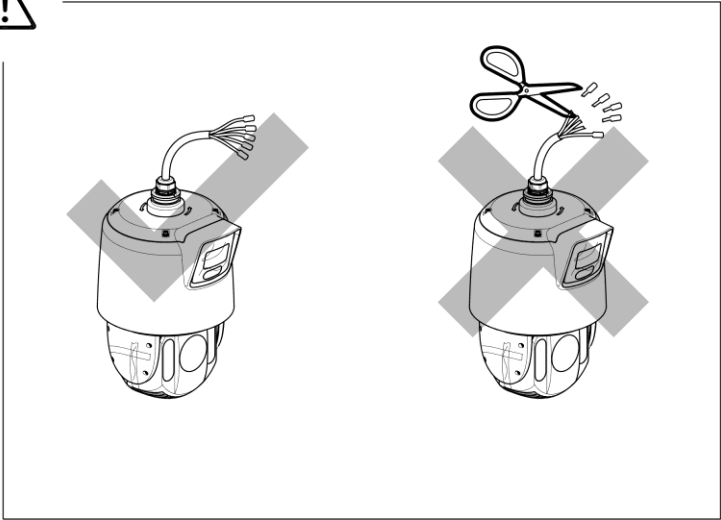


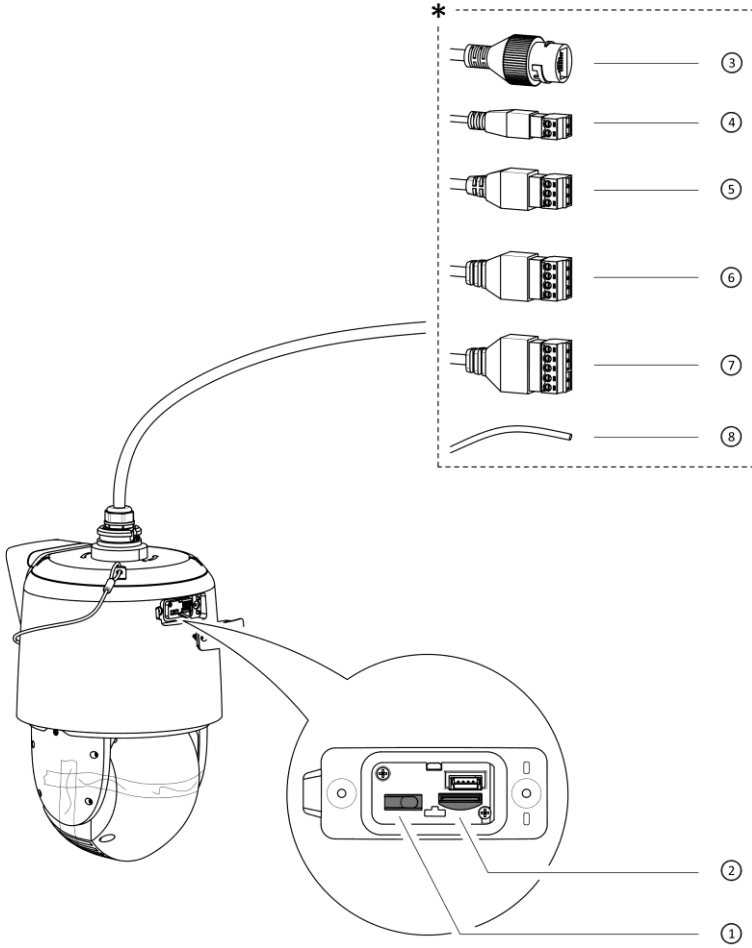


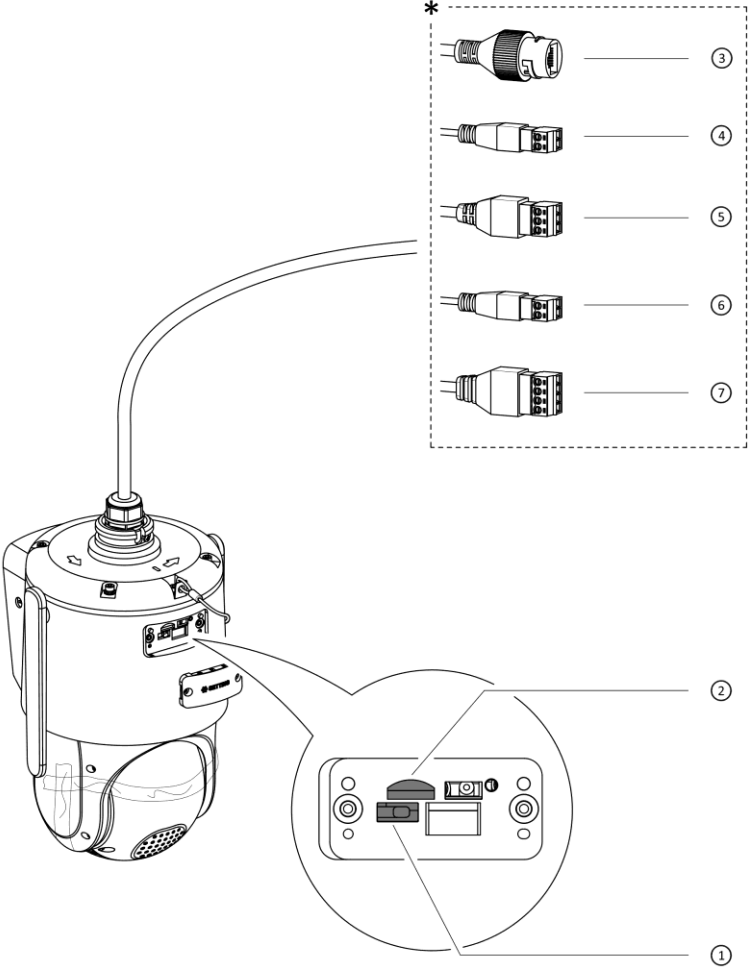
TandemVu PTZ Camera

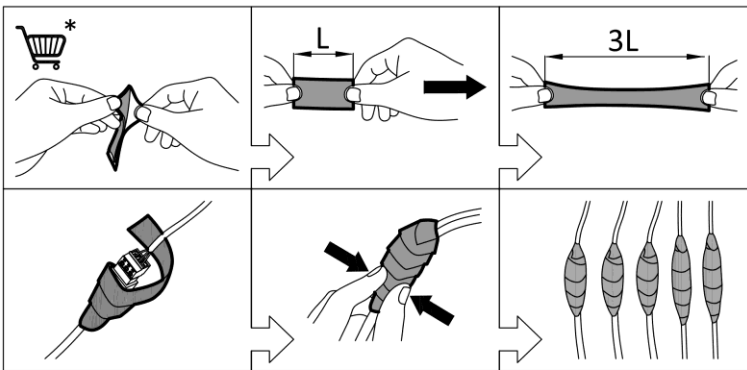
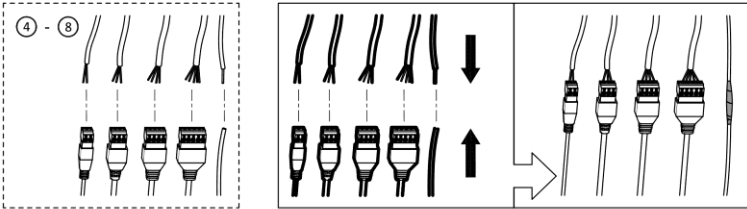
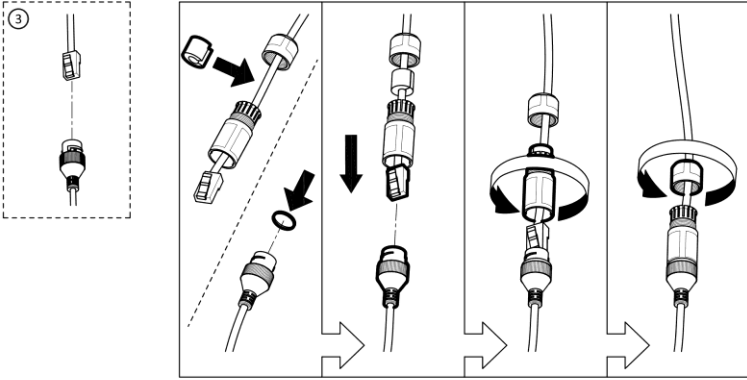
Quick Start Guide

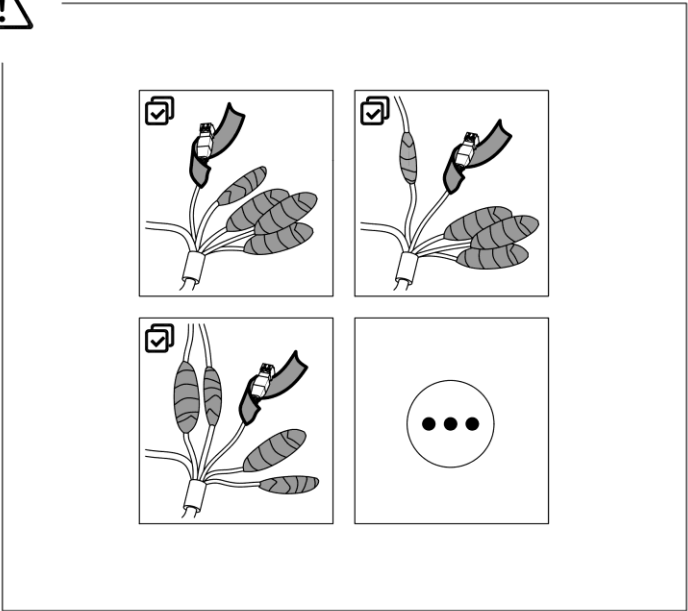


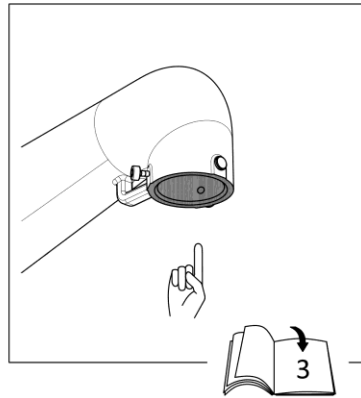
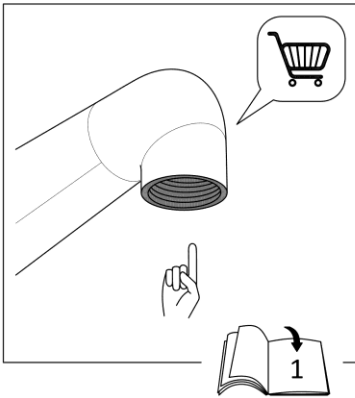




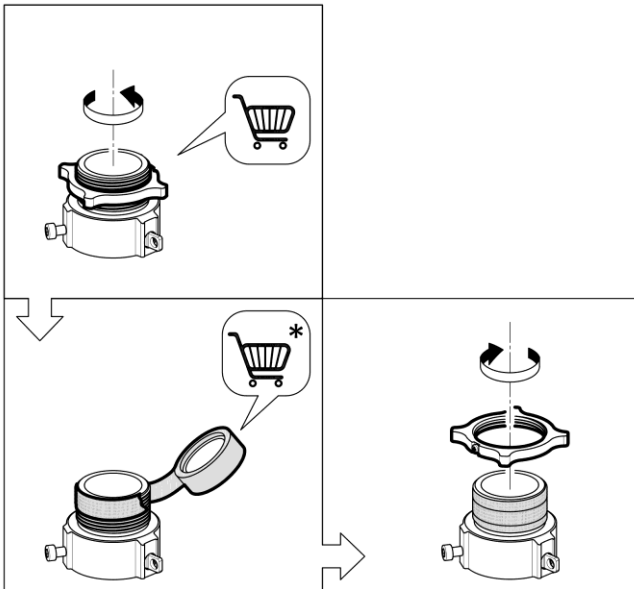




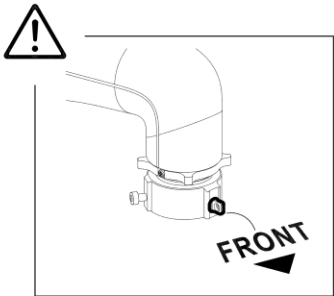
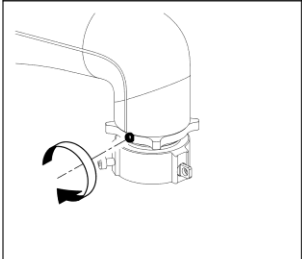
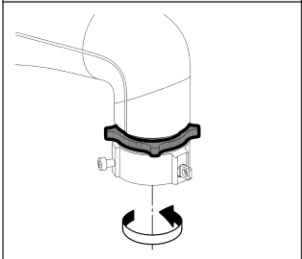
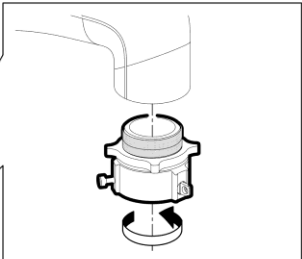
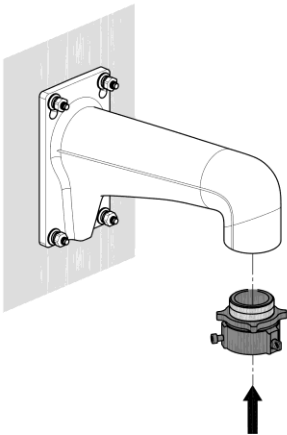




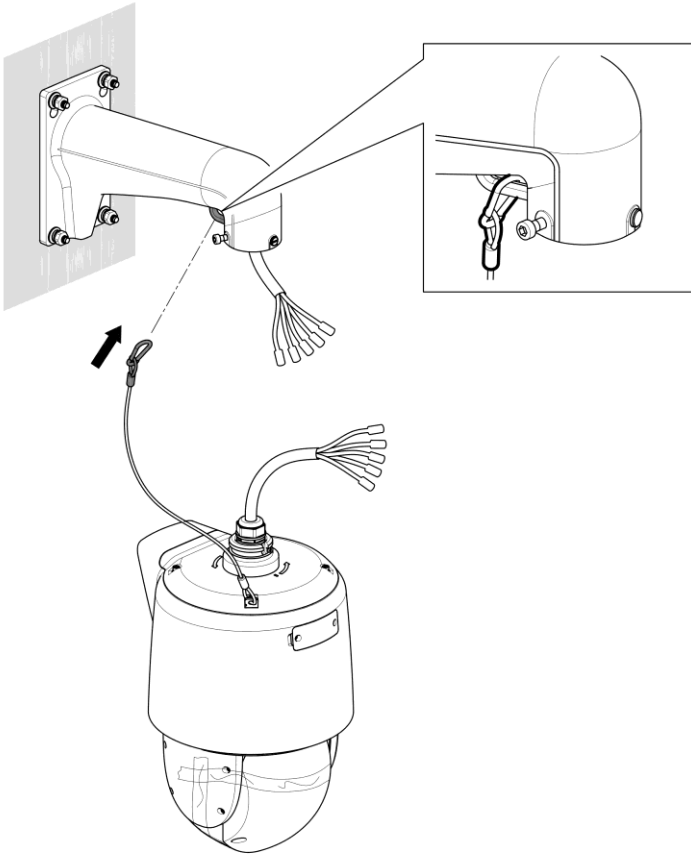
1



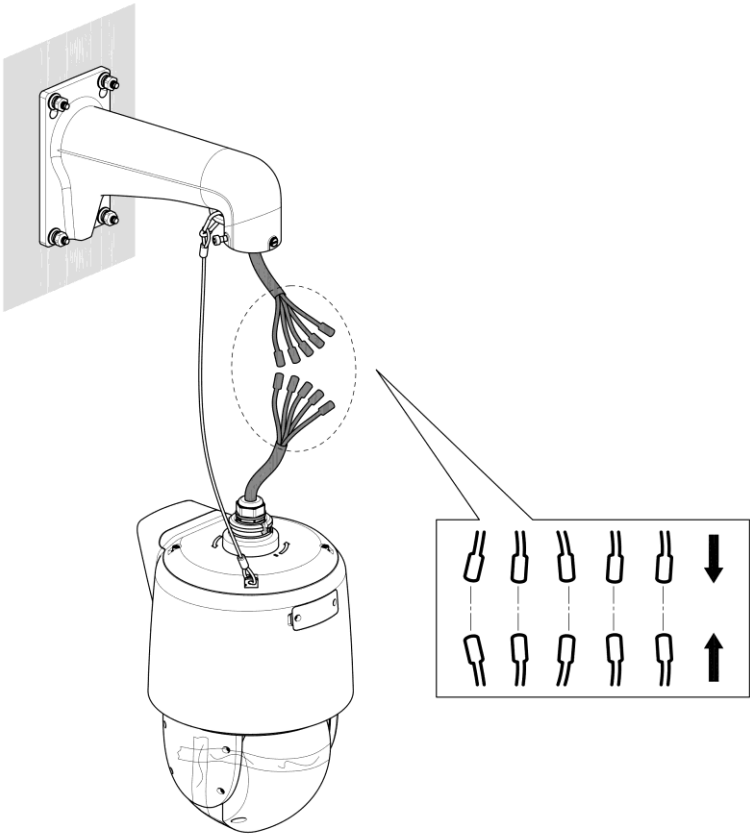
2



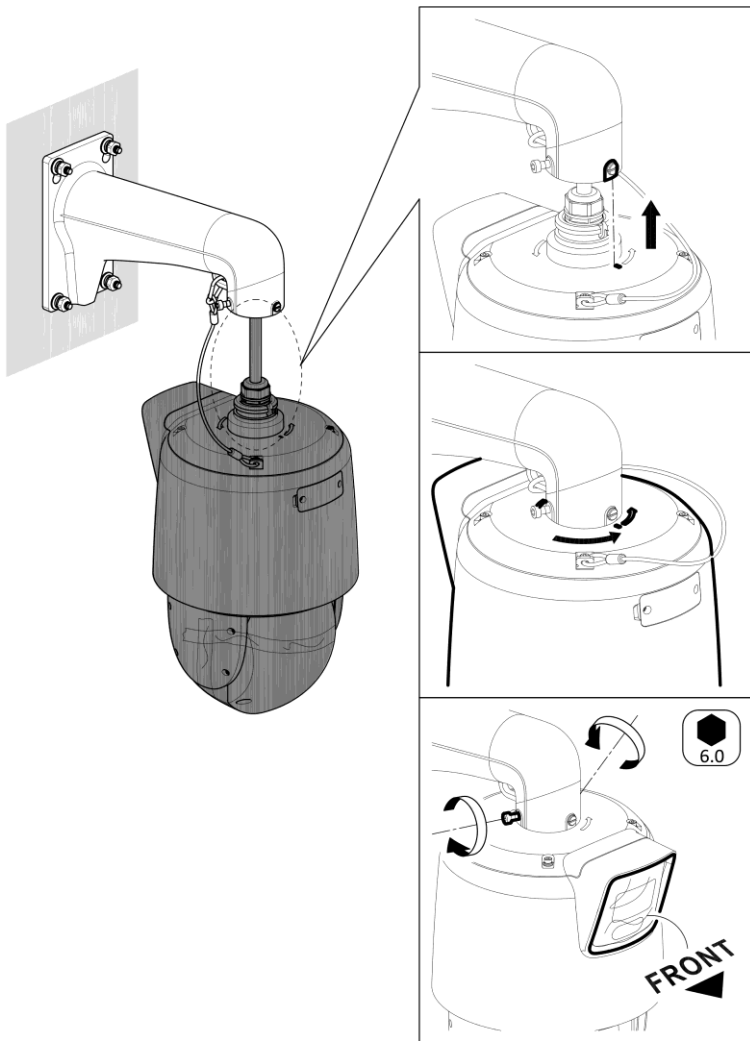
3



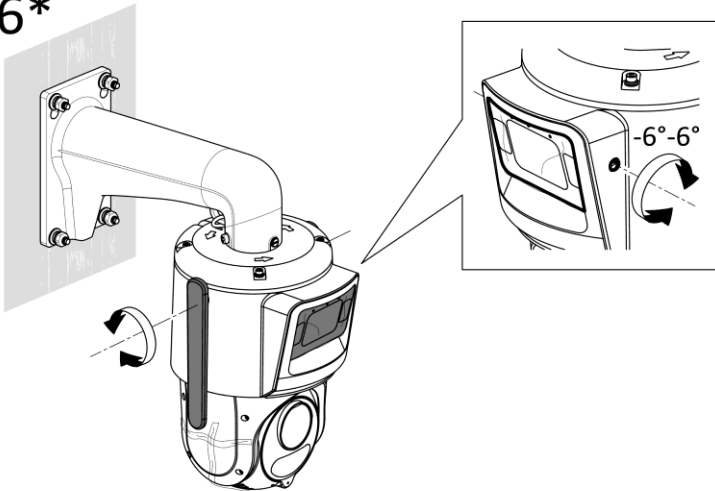
4



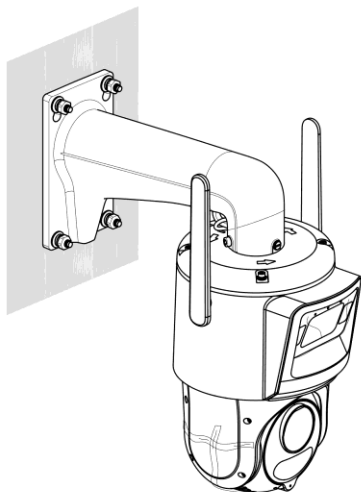
5



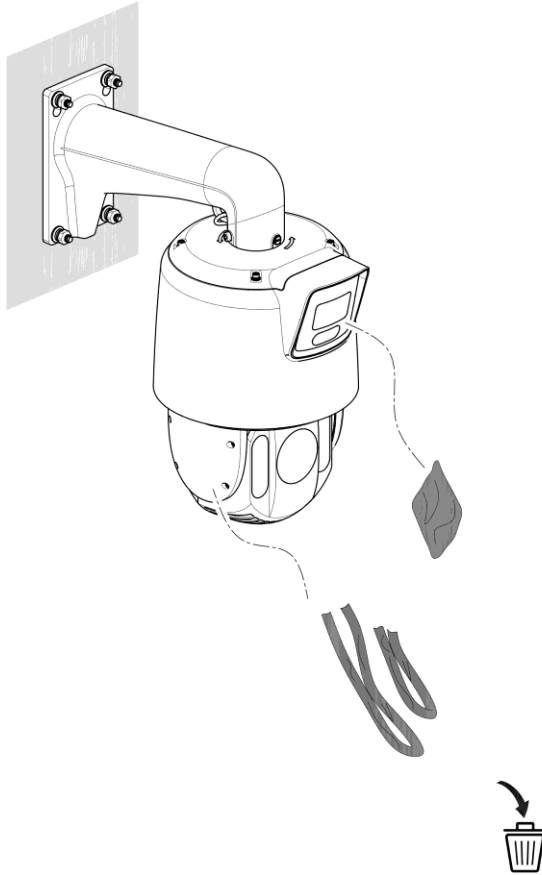
6*

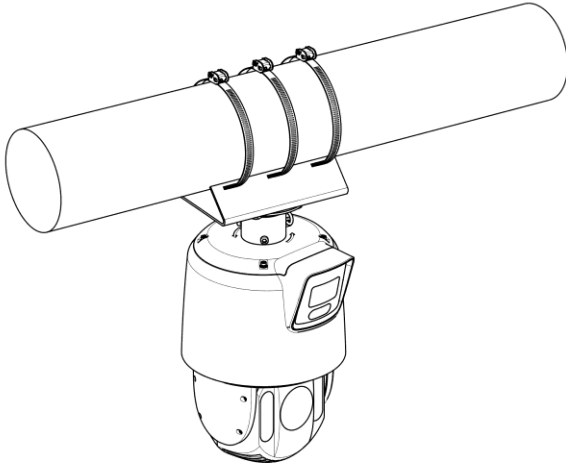
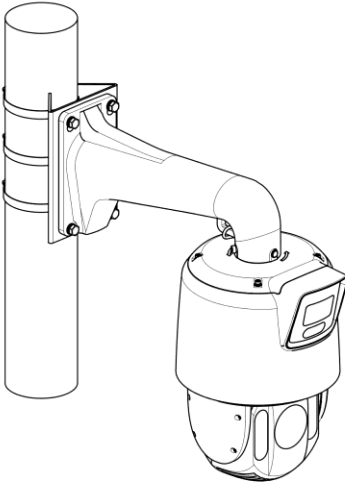



7*



8





 Read this manual before using the product.

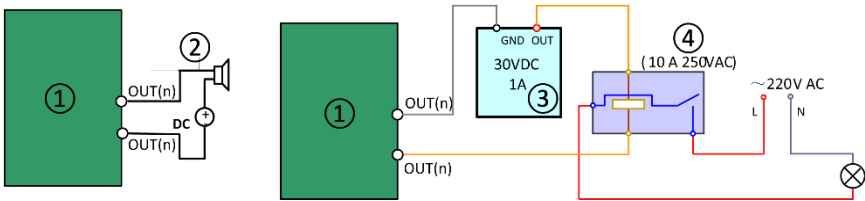
Product appearance is for reference only and may differ from the actual product.

Interface

- ① Reset button: Press reset button for about 10 s when the camera is powering on or rebooting to restore the default settings, including the user name, password, IP address, port No., etc.
- ② Memory card slot
- ③ Network interface
- ④ Power interface
- ⑤ Audio interface
- ⑥ RS-485 and power interface
- ⑦ Alarm interface
- ⑧ GND

Note: The interface varies with the models. Please refer to the product datasheet for details.

Alarm Output



- ① Relay output
- ② DC load
- ③ Power supply
- ④ JQC-3FG Relay



Protective Measures for Outdoor Installation



Activate and Access Network Camera



See Far, Go Further