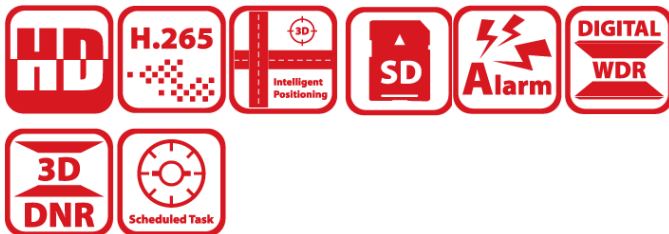


**DS-2DP8A845IXG-LF/432(F0)(B)
180° Stitched 32 MP PanoVu Camera with PTZ**

Hikvision DS-2DP8A845IXG-LF/432(F0) 180° Stitched 32 MP PanoVu Camera with PTZ is able to capture panoramic images as well as close-up images, offering both panorama and details. The panoramic images are captured by four sensors, which could realize 180° panorama monitoring. The integration of two cameras can locate the details fast over expansive area. Furthermore, with its advanced video analysis and multiple targets tracking algorithm, PanoVu camera also features a wide range of smart functions for multiple targets within the panoramic view filed, including intrusion detection, line crossing detection, region entrance detection, and region exiting detection. The camera could also output alarm signals to link the PTZ for tracking to improve the security efficiency.

This product is suitable for the application scenarios in which expansive monitor and detail capture are both required, such as airport, station, stadium, playground, scenic area, and public square.

- Four 1/1.8" 8 MP progressive scan CMOS for the panoramic channel and 2/3" 8 MP progressive scan CMOS for the PTZ channel
- High quality imaging with 32 MP resolution
- The panoramic channel offers 180° horizontal field of view and 85° vertical field view
- Excellent low-light performance
- 45× optical zoom and 16× digital zoom of the PTZ channel provide close up views over expansive areas
- Max. panning range of 360° endless and max. tilting range of -15° to 90° for the PTZ channel
- Expansive night view with up to 500 m IR distance
- Supports AR multi-dimensional arming based on professional platform

▪ Specification

Camera	
Image Sensor	[panoramic channel]: 1/1.8" progressive scan CMOS, [PTZ channel]: 1/1.8" progressive scan CMOS
Max. Resolution	8160*3616
Min. Illumination	[Panoramic channel] Color: 0.0005 Lux @ (F1.0, AGC ON), B/W: 0.0005 Lux @ (F1.0, AGC ON), [PTZ channel] Color: 0.0005 Lux @ (F1.2, AGC ON), B/W: 0.0001 Lux @ (F1.2, AGC ON), 0 lux with IR
Shutter Speed	1~1/30000
Day & Night	ICR
Zoom	[PTZ channel] 16x digital
Slow Shutter	yes
Optical Zoom	45x
Lens	
Focal Length	[panoramic channel] 2.8 mm; [PTZ channel] 7.1~320 mm
FOV	[panoramic channel] Horizontal field of view: 180° Vertical field of view: 85° [PTZ channel] Horizontal field of view: 56.1° to 2.0° (Wide-Tele) Vertical field of view: 33.4° to 1.1° (Wide-Tele) Diagonal field of view: 62.9° to 2.3° (Wide-Tele)
Focus	semi-auto, manual, auto
Aperture	[Panoramic channel] F1.0, [PTZ channel] F1.5
Zoom Speed	[panoramic channel] no, [PTZ channel] approx. 7.8 s
Illuminator	
Supplement Light Type	Laser
Supplement Light Range	IR distance: up to 500 m
Smart Supplement Light	yes
PTZ	
Movement Range (Pan)	0-360°
Movement Range (Tilt)	-15° to 90° (auto flip)
Pan Speed	pan speed: configurable from 0.1° to 210°/s; preset speed: 240°/s
Tilt Speed	tilt speed: configurable from 0.1° to 150°/s, preset speed 200°/s
Proportional Pan	[panoramic channel]: no; [PTZ channel]: yes
Presets	300
Preset Freezing	yes
Patrol Scan	8 patrols
Pattern Scan	4 pattern scans
Park Action	preset, pattern scan, patrol scan, auto scan, tilt scan, random scan, frame scan, panorama scan
3D Positioning	yes
PTZ Status Display	yes
Scheduled Task	preset, pattern scan, patrol scan, auto scan, tilt scan, random scan, frame scan, panorama scan, dome reboot, dome adjust, aux output

Power-off Memory	yes
Video	
Main Stream	<p>[panoramic channel]</p> <p>50Hz: 25fps (32 MP video output mode: 8160 × 3616 , 5520*2400; 8 MP video output mode: 4096 × 1800, 3840 × 1680, 2720 × 1192);</p> <p>60Hz: 30fps (32 MP video output mode: 8160 × 3616; 8 MP video output mode: 5520*2400 , 4096 × 1800, 3840 × 1680, 2720 × 1192)</p> <p>[PTZ channel]</p> <p>50Hz: 25fps (3840 × 2160, 2560 × 1440, 1920 × 1080, 1280 × 960, 1280 × 720)</p> <p>60Hz: 24fps (3840 × 2160, 2560 × 1440, 1920 × 1080, 1280 × 960, 1280 × 720)</p>
Sub-Stream	<p>[panoramic channel]</p> <p>50Hz: 25fps (32 MP video output mode: 1560 × 656, 704 × 320; 8 MP video output mode: 704 × 320, 512 × 232);</p> <p>60Hz: 30fps (32 MP video output mode: 1560 × 656, 704 × 320 , 8 MP video output mode: 704 × 320, 512 × 232)</p> <p>[PTZ channel]</p> <p>50Hz: 25fps (704 × 576, 640 × 480, 352 × 288);</p> <p>60Hz: 24fps (704 × 480, 640 × 480, 352 × 240)</p>
Third Stream	<p>[PTZ channel]</p> <p>50Hz: 25fps (1920 × 1080, 1280 × 960, 1280 × 720, 704 × 576, 640 × 480, 352 × 288)</p> <p>60Hz: 24fps (1920 × 1080, 1280 × 960, 1280 × 720, 704 × 480, 640 × 480, 352 × 240)</p>
Video Compression	H.265, H.264
Audio	
Audio Compression	G.711alaw, G.711ulaw, G.722.1, G.726, MP2L2, PCM
Audio Sampling Rate	MP2L2: 16kHz, 32kHz, 44.1kHz, 48kHz, PCM: 8kHz, 16kHz, 32kHz, 44.1kHz, 48kHz
Network	
Protocols	IPv4/IPv6, HTTP, HTTPS, 802.1x, Qos, FTP, SMTP, UPnP, SNMP, DNS, DDNS, NTP, RTSP, RTCP, RTP, TCP/IP, UDP, IGMP, ICMP, DHCP, PPPoE, Bonjour
Simultaneous Live View	20
API	Open-ended API, ONVIF (Profile S, Profile G), ISAPI, Hikvision SDK, Third-party management platform, ISUP
Smooth Streaming	yes
User/Host	32
Security	Authenticated username and password, MAC address binding, HTTPS encryption, 802.1X authenticated access, IP address filter
Network Storage	NAS (NFS, SMB/ CIFS), ANR
Client	iVMS-4200
Web Browser	IE8+
Image	
Image Parameters Switch	yes
Image Settings	saturation, brightness, contrast, sharpness
Day/Night Switch	day, night, auto, scheduled-switch
Wide Dynamic Range (WDR)	[Panoramic channel] Digital WDR, [PTZ channel] 120 dB
SNR	≥55dB
Defog	yes

Image Stabilization	EIS
Image Enhancement	BLC, HLC, 3D DNR
Privacy Mask	mask color or mosaic configurable
Regional Focus	yes
Regional Exposure	yes
Supplement Detection	
Compass	no
Interface	
Ethernet Interface	RJ45, Self-adaptive 10M/100M/1000M Ethernet port
On-board Storage	Built-in microSD slot, support microSD/microSDHC/microSDXC cards, up to 256 GB
Audio	1 input (line in), max. input amplitude: 2-2.4 vpp, input impedance: 1 K Ω \pm 10%; 1 output (line out), line level, output impedance: 600 Ω
Alarm	7 alarm inputs
RS-485	Half duplex, HIKVISION, Pelco-P, Pelco-D, self-adaptive
Reset	yes
Fiber Optical	1 FC interface, built-in fiber module, 1000M, TX1310/RX1550 nm wavelength, single module fiber, up to 20 km transmission distance
Event	
Smart Event	face capture, intrusion detection, line crossing detection, region entrance detection, region exiting detection, unattended baggage detection, object removal detection
Linkage	memory card video recording, alarm output, sending email, notify surveillance center, upload to FTP, audible warning, NAS video recording
Smart Tracking	manual tracking, panorama tracking, event tracking, support patrol tracking among multiple detection scenes
General	
Power	36 VDC
Dimension	Φ 391.8 mm \times 400.5 mm (Φ 15.43" \times 15.77")
Weight	Approx. 18 kg (39.68 lb)
Material	ADC12
Operating Condition	Temperature: -40°C to 70°C (-40°F to 158°F) , Humidity: \leq 95%
Wiper	no
De-icing	NO
Demist	Yes
Power Consumption and Current	max. 135 W, including max. 12 W for IR
Approval	
Protection	IK10, IP66 Standard, 6000V Lightning Protection, Surge Protection and Voltage Transient Protection

▪ DORI

The DORI (detect, observe, recognize, identify) distance gives the general idea of the camera ability to distinguish persons or objects within its field of view. It is calculated based on the camera sensor specification and the criteria given by EN 62676-4: 2015.

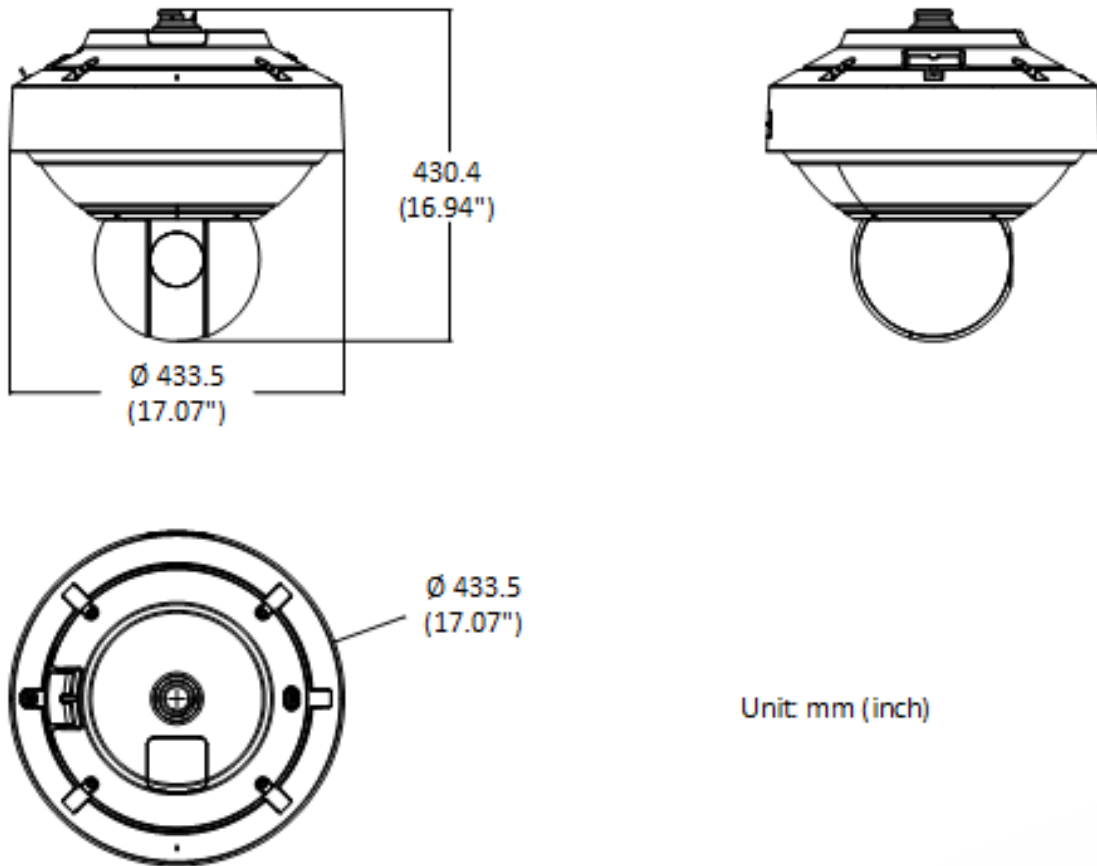
DORI	Detect	Observe	Recognize	Identify
------	--------	---------	-----------	----------

Definition	25 px/m	63 px/m	125 px/m	250 px/m
Distance (Tele)	3310.3 m (10860.6 ft)	1313.6 m (4309.7 ft)	662.1 m (2172.2 ft)	331.0 m (1086.0 ft)

▪ **Available Model**

DS-2DP8A845IXG-LF/432(F0)(B)

▪ **Dimension**



Unit: mm (inch)

▪ **Accessory**

▪ **Optional**

DS-1684ZJ-P Vertical pole mount	DS-4604ZJ-PA PTZ Wall mount	DS-4614ZJ-PA PTZ Pendant Mount
		

See Far, Go Further



www.hikvision.com
support@hikvision.com

